



Compression Couplings

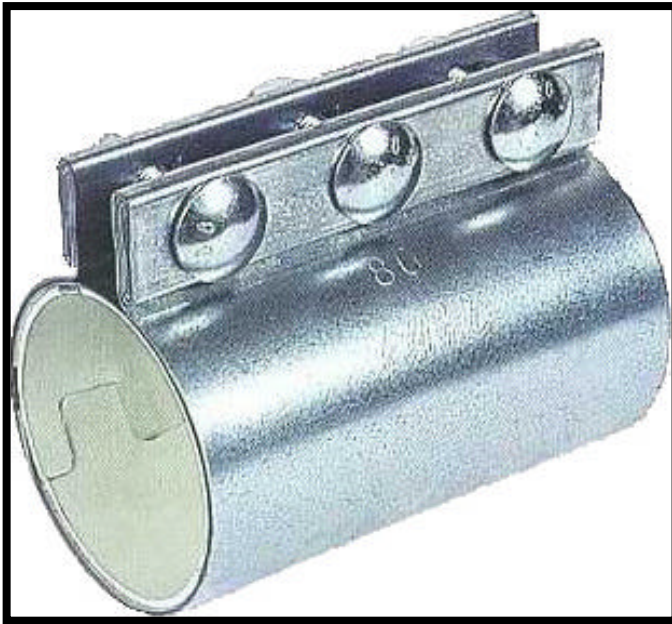


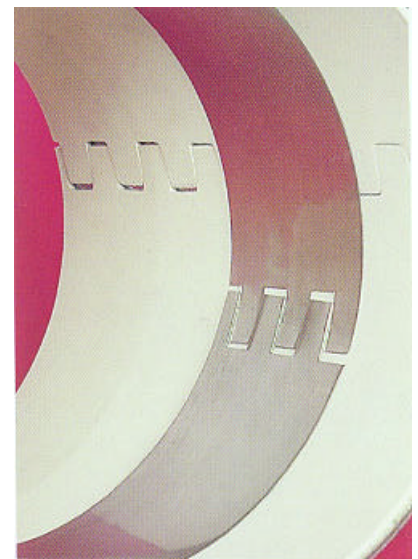
Photo shows standard 3-bolt
Galvanized coupling

Compression Couplings are designed to ensure fast positive sealing of tube or pipe, in either pressure or vacuum systems. The components are light and the joints are quickly connected, reducing installation costs.

Compression Couplings form their leak-proof seal by a simple but clever design, which involves an inner and outer shell. When the bolts are tightened, the outer shell is drawn tightly against the inner shell. Special washers ensure that the pressure is applied equally across the whole circumference, protecting the inner shell from buckling

Features

- Available in both metric and imperial sizes
- Anti-static – comes complete with earthing strip. This anti-static property avoids bottle-neck situations when conveying materials which have a tendency to become statically charged
- Easy to install
- White neoprene lining (gasket)- suitable for use in food, pharmaceutical and chemical industries
- Conductivity ring to prevent wear on the gasket
- Available in galvanized or stainless steel



Picture shows conductivity ring
and white neoprene gasket



Compression Coupling Sizes

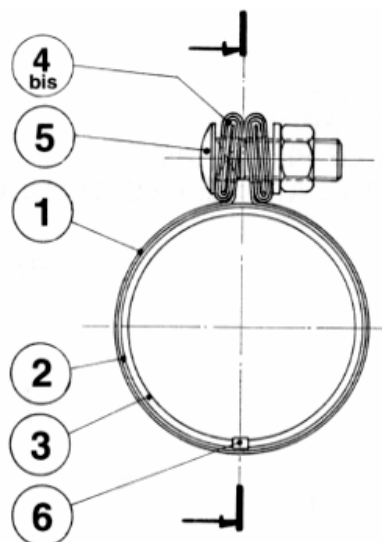
The following sized compression couplings are usually kept as stock items. Most other sizes are available on application.

Compression Couplings	No. of Bolts	for tube O D size		Length		Approx. Wt	
		mm	in	mm	in	kg	lb
CC-150	3	38.1	1½	150	6	0.97	2.13
CC-200	3	50	2	150	6	1.08	2.30
CC-212	3	53	2?	150	6	1.11	2.40
CC-250	3	62.5	2½	150	6	1.35	2.90
CC-300	3	76.1	3	150	6	1.49	3.30
CC-350	3	88.9	3½	150	6	1.89	4.16
CC-400	3	100	4	150	6	2.01	4.40
CC-500	4	125	5	200	8	3.05	6.70
CC-600	4	150	6	200	8	3.48	7.70
CC-800	4	200	8	250	10	5.53	12.18
CC-1000	4	250	10	250	10	6.17	13.60
CC-1200	4	300	12	300	12	9.00	19.82

The above sized couplings are available in Galvanised Steel, Stainless Steel with Black or white rubber.

Parts List

1. Galvanised or stainless steel outside skin.
2. Galvanised or Stainless Steel inside skin.
3. White food quality compression gasket for temperatures from -30°C to +125°C.
4. Built in galvanized or stainless steel folded lamellar clamp jaw thickness 8mm.
5. Galvanised or stainless steel TRCC bolt.
6. Stainless steel electric conductivity strip.



Installing Compression Couplings

Compression coupling joints are supplied ready to install.

Simply ensure that the exterior of the tube is clean and dry, then slide the coupling over one end of the tube. Butt the tube ends together, slide the coupling over the joint and tighten the bolts.

It's as easy as that!

For more information regarding Compression Couplings or any other aspect of Pneumatic Conveying, please call Pneuvay Engineering