

Easy-Trunk® and Porta-Trunk® Fume Collectors

The compact and portable Easy-Trunk and Porta-Trunk fume collectors effectively filter smoke, dust, and fumes resulting from welding and grinding applications.



Easy-Trunk

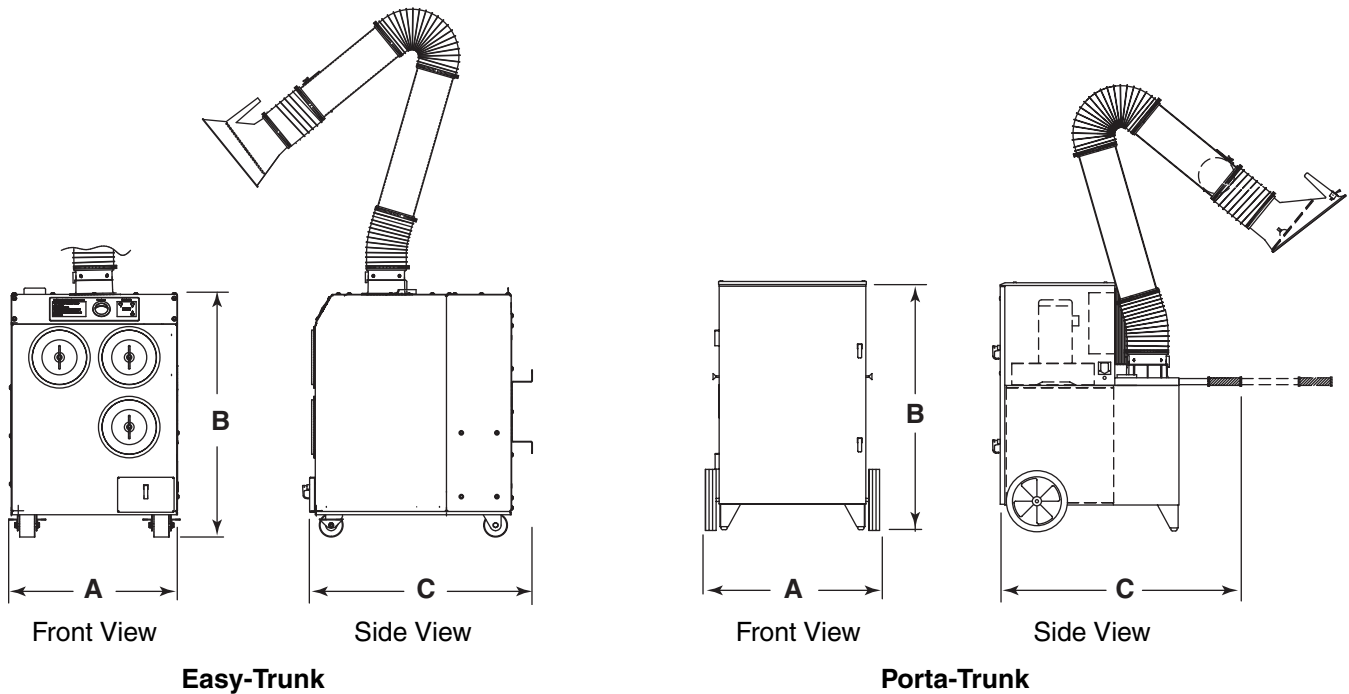


Porta-Trunk

- The Porta-Trunk collector includes a static filter system and features a hinged door for easy filter access and quick maintenance.
- The Easy-Trunk collector features a built-in pulse filter cleaning system—just a push of a button releases a blast of compressed air, which cleans the filter cartridge and extends filter life.
- Operating controls are conveniently located on the hood of the extraction arm.
- Nanofiber technology provides high filtration efficiency and long filter life.
- MERV* 13 filtration efficiency rating outperforms the competition.
- Both collectors feature “plug and go” operation and fit easily through a standard doorway.

Easy-Trunk and Porta-Trunk Collectors

Dimensions & Specifications



Model	Nominal Airflow** (cfm)	Motor (hp)	Dimensions (in)			Shipping Weight (lbs)	Sound Level dB(A)†
			A	B	C		
Easy-Trunk	750	1.5	28.0	40.9	38.6	400	70
Porta-Trunk	780	1.5	27.5	40.3	35.4	340	75

Standard Features

- Ultra-Web® FR filter cartridges
- 1.5 hp motor
- 115/60/1 voltage
- Flex-Trunk® extraction arm - 8'
- Hood-mounted light
- 10-year warranty

Equipment Options

- Flex-Trunk extraction arm - 10'

* The Minimum Efficiency Reporting Value (MERV) of this filter cartridge has been determined through independent laboratory testing using ASHRAE 52.2 (1999) test standards. The MERV rating was determined at a face velocity of 118 feet per minute and loading up to four inches water gauge. Actual efficiency of any filter cartridge will vary according to the specific application parameters. Dust concentration, airflow, particle characteristics, and pulse cleaning methods all affect filtration efficiency.

** Based on clean filters.

† db(A) sound levels are an average of measurements made in a laboratory environment. Installed sound levels will vary depending on the measurement location, operating conditions, and installation.



Donaldson Company, Inc.
Industrial Air Filtration
P.O. Box 1299
Minneapolis, MN 55440
Tel 800-365-1331(USA)
Tel 800-343-3639 (within Mexico)
dustmktg@mail.donaldson.com
www.donaldson.com

Significantly improve the performance of your collector with genuine Donaldson Torit replacement filters and parts.

Visit us at www.donaldsondynamic.com

Information in this document is subject to change without notice.
U.S. Patent 4,860,644
© 1998 Donaldson Co., Inc.
Printed in U.S.A. on recycled paper
Data Sheet EZ-PT (05/05)

