



Valves

Handling the world's dry bulk solids®

VORTEX® QUANTUM™ SERIES 2-WAY WYE LINE DIVERTER™

The patent pending Vortex® Quantum™ Series Wye Line Diverter™ is specifically engineered to handle dry bulk solids in vacuum or dilute phase pneumatic conveying systems with pressures up to 15 psig (1 barg). A full flow orifice provides unrestricted conveying of material with no disk or ledges to impede flow. The diverter seat and live-loaded seals are shielded from abrasion by a metal insert, which provides superior shearing action. The Wye Line Diverter™ is designed to eliminate problems, enabling you to meet your objectives by increasing production, while decreasing labour and equipment costs.

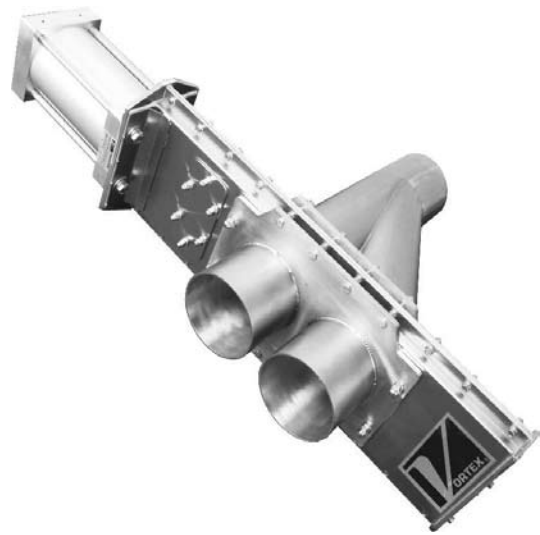
Vortex® Quantum™ Series Wye Line Diverter™ Features

- Ability to Shift without Shutting Down Blower
- Improves Conveying Efficiency
- Smooth, Unobstructed Bore for Unrestricted Flow of Material
- Seal Protected from Abrasion
- Easy Installation and Maintenance



Valve Specifications

Size/Bore Options	50mm to 125mm Diameters Pipe, 50mm to 150mm Tube. Consult Factory for 150mm to 300mm Pipe, 200mm to 300mm Tube Models
Media	Powder, Pellets, Granulars
Connection Options	ANSI, DIN, JIS, or Compression Couplings
Media Temperature	Up to 82°C continuous to 121°C intermittent service, Modifications allow up to 204°C continuous to 232°C intermittent service.
Media Pressure	-0.1 MPa +0.1 MPa, 1 barg, 15 psig, depending on size
Metal Construction Options	304 or 316L Stainless Steel, Aluminium, and/or Carbon Steel
Seal/Seat Material Options	Nylon, PET, UHMW, Glass Filled Teflon, Natural Rubber, and/or Silicon Rubber
Drive/Actuation Options	Double Acting Air Cylinder and Solenoid Operated Air Control Valve, Electric Actuator, Handwheel, or Chainwheel
Position Detection	Magnetic Reed Switch, Proximity Switch, or Mechanical Switch
Compliance/Approvals	CE, ATEX, FDA
Industry Use	Plastics, Petrochemicals, Chemicals, Foods, Minerals, Textiles, Agriculture



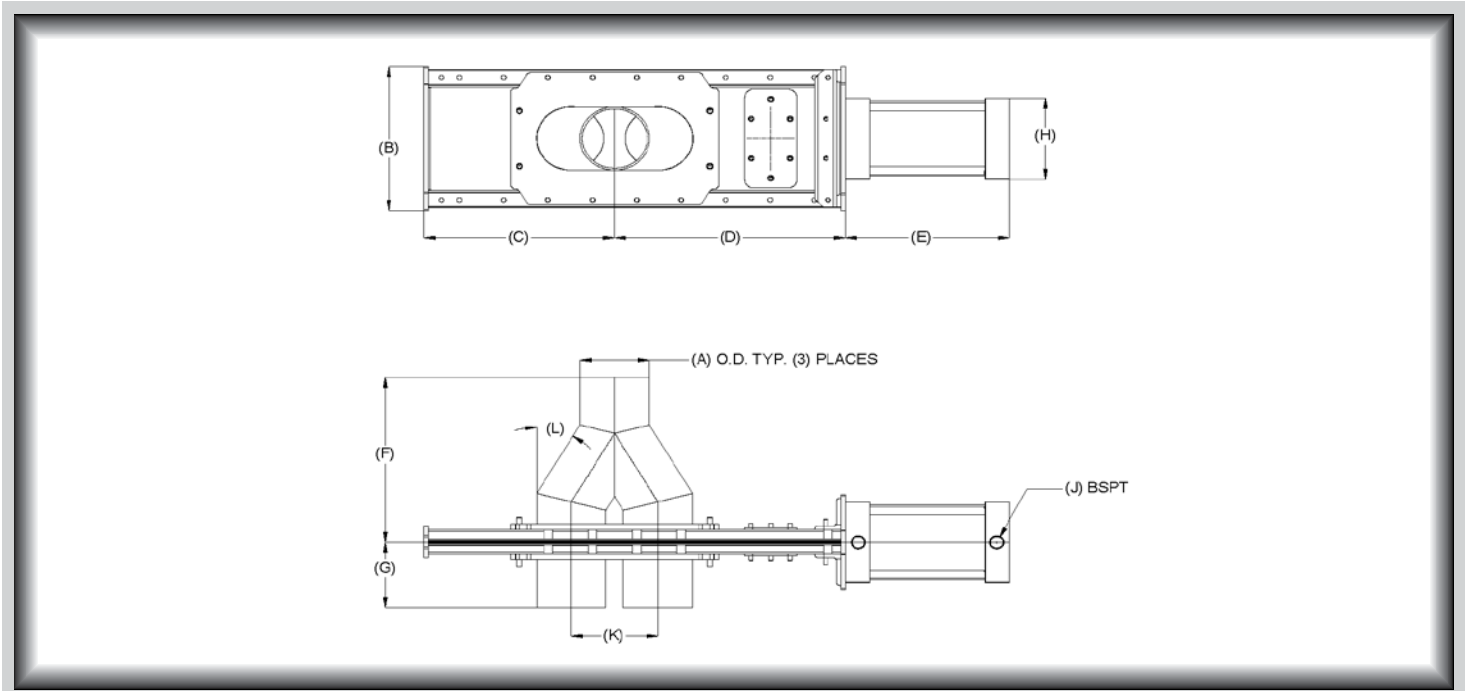
Patent Pending

Application Specific Modifications

S	Material contact is 316L stainless steel.
SL	Diverter has straight through conveying line designed for easier "in line" installation and less system conveying pressure drop when using multiple diverters.
MG	Air cylinder has a magnetic piston, which activates a magnetic reed position indicating switch.
HT3	Modifications are made allowing 121°C continuous to 149°C intermittent service.
HT4	Modifications are made allowing up to 204°C continuous to 232°C intermittent service.
P10	Diverters are made with schedule 10 Pipe throughout.
P20	Diverters are made with schedule 20 Pipe throughout.
P40	Diverters are made with schedule 40 Pipe throughout.
WS1	Slide Blade is electro-polished. Polyethylene Terephthalate (PET) pressure plate seals replace Nylon.



VORTEX® 2-WAY WYE LINE DIVERTER™ DIMENSIONAL INFORMATION



Tube Model	A	B	C	D	E	F	G	H	J	K	L
DR50-2(XX)	51	181	165	210	159	184	108	89	10	64	30
DR65-2(XX)	64	206	216	279	203	203	108	105	13	89	30
DR75-2(XX)	76	206	216	279	203	222	108	105	13	89	30
DR100-2(XX)	102	232	279	340	241	267	108	130	13	127	30
DR125-2(XX)	127	257	330	394	273	324	133	140	13	152	30
DR150-2(XX)	152	283	381	445	298	356	133	140	13	178	30

Pipe Model	A	B	C	D	E	F	G	H	J	K	L
DR50-2(XX)-PXX*	60	206	216	279	203	260	121	105	13	89	30
DR65-2(XX)-PXX*	73	206	216	279	203	260	130	105	13	89	30
DR75-2(XX)-PXX*	89	232	279	340	241	327	159	130	13	127	30
DR100-2(XX)-PXX*	114	257	330	394	273	352	159	140	13	152	30
DR125-2(XX)-PXX*	143	283	381	445	298	387	165	140	13	178	30

All dimensions are in mm, Information subject to change without notice.

(XX) Material of construction, aluminum (AL), carbon steel (CS), or stainless steel (SS).

*Select pipe schedule 10, 20, or 40.