



Valves

Handling the world's dry bulk solids®

VORTEX® 2-WAY SEAL TITE DIVERTER™

The Vortex® 2-Way Seal Tite™ Diverter is designed for use in gravity flow applications where material can be diverter from one source to either of two destinations. The Seal Tite™ Diverter offers a removable access door for replacement of blade and shaft seals. All internal ledges have been eliminated to promote cleanliness. The Seal Tite™ Diverter's superior design promotes efficiency, durability, and long service life.

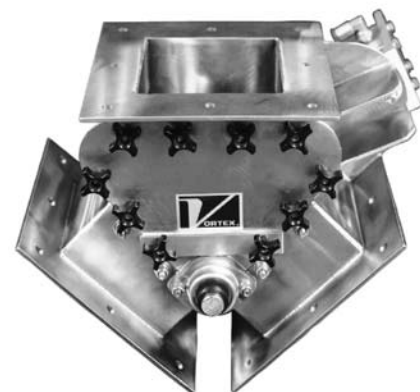
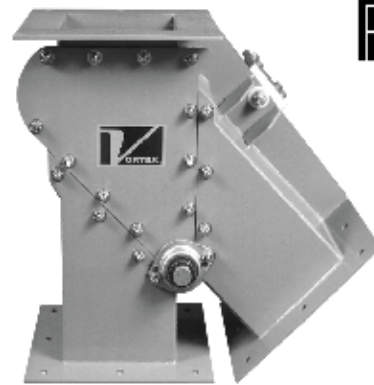
Vortex® Seal Tite™ Diverter Features

- Positive Seal of Dust and Fine Powders
- Leading Edge of Blade Seal Protected from Abrasion
- Access Door for Internal Inspection, Cleaning, or Maintenance
- Easy Installation and in-place Maintenance



Valve Specifications

Size/Bore Options	100mm to 750mm Diameter Round, Square, or Rectangular
Media	Powder, Pellets, Granulars
Connection Options	SVC Standard Flange, ANSI, DIN, JIS, or Custom Flanges
Media Temperature	Up to 82°C continuous to 121°C intermittent service, Modifications allow up to 204°C continuous to 232°C intermittent service
Media Pressure	0 barg, Gravity Flow Only
Metal Construction Options	304 or 316L Stainless Steel, and Carbon Steel
Seal/Seat Material Options	Nylon, PET, UHMW, Glass Filled Teflon, Natural Rubber, Kryptane, and/or Silicon Rubber
Drive/Actuation Options	Double Acting Air Cylinder with Solenoid Operated Air Control Valve, Electric Actuator, or Hand Lever
Position Confirmation	Magnetic Reed Switch, Proximity Switch, or Mechanical Switch
Compliance/Approvals	CE, ATEX, FDA
Industry Use	Plastics, Petrochemicals, Chemicals, Foods, Minerals, Textiles, Agriculture

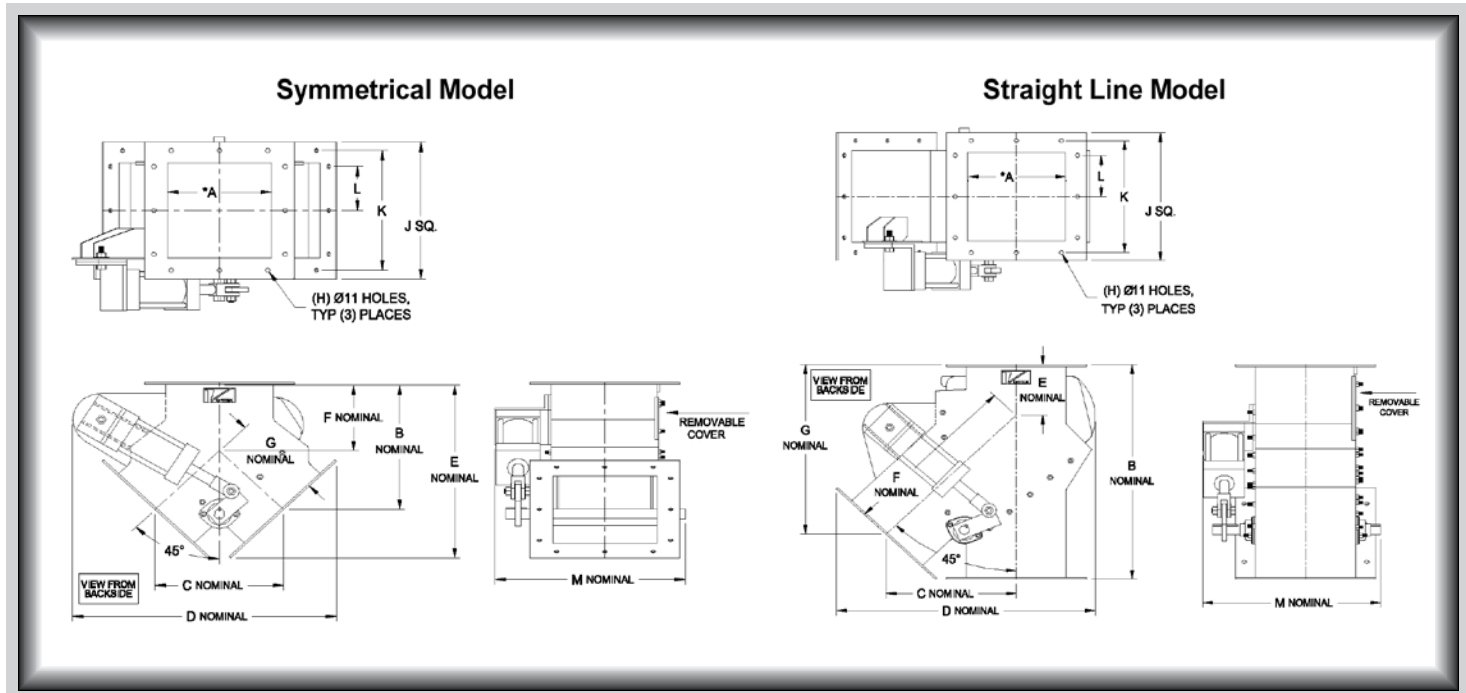


Application Specific Modifications

S	Material contact is 316L stainless steel.
MG	Air cylinder has a magnetic ring which activates a magnetic reed position indicating switch.
HT3	Modifications are made allowing up to 121°C continuous to 149°C intermittent service.
HT4	Modifications are made allowing up to 204°C continuous to 232°C intermittent service.
CIP	Access panel and fasteners allow for quicker access to the interior of the valve for more frequent inspection, cleaning or sanitation.
RT	Round transitions with SVC bolt hole pattern are mounted to the inlet and two outlets of the valve.
RTP	Round transitions with ANSI, DIN, or JIS bolt hole pattern are mounted to the inlet and two outlets of the valve.
45 / 30	The angle the outlets are offset (45 or 30) degrees.
KS	Kryptane blade seal for more abrasive materials.



VORTEX® 2-WAY SEAL TITE DIVERTER™ DIMENSIONAL INFORMATION



Symmetrical Model	A	B	C	D	E	F	G	H	J	K	L	M	WT (kg)
Z100-2XX-45	102	229	191	403	302	133	133	203	203	159	79	305	18
Z150-2XX-45	152	260	229	457	349	146	162	203	254	210	105	349	23
Z200-2XX-45	203	292	267	495	400	159	187	305	305	260	89	400	30
Z250-2XX-45	254	330	305	625	457	178	216	305	356	311	114	451	36
Z300-2XX-45	305	362	330	673	505	197	235	508	406	362	70	502	43
Z350-2XX-45	356	400	368	699	562	216	260	508	457	413	83	610	54
Z400-2XX-45	406	432	406	765	613	229	289	508	508	464	95	660	64
Z450-2XX-45	457	483	483	876	679	241	340	508	559	514	108	711	209
Z500-2XX-45	508	546	559	991	762	267	394	711	610	565	76	762	84
Z550-2XX-45	559	584	610	1076	819	279	432	711	660	616	89	813	95
Z600-2XX-45	635	648	737	1257	908	279	521	711	737	667	95	927	163
Z650-2XX-45	660	686	787	1346	965	292	559	711	787	718	105	978	195
Z700-2XX-45	711	756	838	1432	1051	337	594	711	838	768	108	1029	227
Z750-2XX-45	762	775	889	1518	1089	330	629	914	889	819	92	1080	259

Straight Line Model	A	B	C	D	E	F	G	H	J	K	L	M	WT (kg)
Z100-2XX-45-SL	102	387	203	384	114	289	314	203	203	159	79	305	23
Z150-2XX-45-SL	152	464	248	464	114	349	375	203	254	210	105	349	30
Z200-2XX-45-SL	203	533	292	562	133	413	425	305	305	260	89	400	34
Z250-2XX-45-SL	254	597	330	657	140	467	470	305	356	311	114	451	50
Z300-2XX-45-SL	305	667	375	746	149	530	524	508	406	362	70	502	59
Z350-2XX-45-SL	356	743	419	810	159	594	581	508	457	413	83	610	82
Z400-2XX-45-SL	406	832	470	937	181	664	651	508	508	464	95	660	100
Z450-2XX-45-SL	457	914	521	1054	197	737	718	508	559	514	108	711	118
Z500-2XX-45-SL	508	1003	572	1165	216	810	787	711	610	565	76	762	136
Z550-2XX-45-SL	559	1092	622	1251	238	879	860	711	660	616	89	813	159
Z600-2XX-45-SL	610	1181	686	1356	235	968	921	711	737	667	95	927	227
Z650-2XX-45-SL	660	1270	737	1483	254	1041	991	711	787	718	105	978	318
Z700-2XX-45-SL	711	1346	787	1578	264	1114	1051	711	838	768	108	1029	409
Z750-2XX-45-SL	762	1372	810	1641	251	1146	1070	914	889	819	92	1080	499

All dimensions are given in mm, Information subject to change without notice.
 * less material thickness.