

## DFO STANDARD FEATURES

Standard Features	DFO 1-1, 2-2, 3-3	DFO 2-4 through 4-128
Mild Steel Construction	✓	✓
Ultra-Web Filters	✓	✓
ExtraLife™ Filter Cleaning System	✓	✓
Quick-Removal Access Covers	✓	✓
Integral High Performance Power Packs	✓	
Integral Exhaust Silencer	✓	
Airflow Damper	✓	
Manual or Automated Downtime Cleaning Controls	✓ (1-1)	
Inlet(s)	✓	✓
Minihelic® Gauge	✓ (1-1)	
Photohelic® Gauge	✓ (2-2 & 3-3)	✓
Ledge-Free Hopper	✓	✓
10-Gallon Pail Pack	✓	
Delta P Controller	✓ (2-2 & 3-3)	✓

\*Minihelic and Photohelic are registered trademarks of Dwyer Instruments, Inc.

## DFO Equipment Options COMPLETE INDUSTRIAL FILTRATION SOLUTIONS

All models in the DFO series are available with a comprehensive range of equipment options and accessories. For further details contact your Donaldson distributor or sales representative.

### Total Project Management

From initial contact to final installation and commissioning, Donaldson can design and manage a solution engineered to meet your application requirements.

### Largest Range

Donaldson has the world's largest range of dust, fume and mist collectors and the most complete line of filter media from which to select the best system to suit your application.

### Aftermarket Sales and Service

Donaldson offers a comprehensive service program complete with spares and aftermarket filters to ensure the smooth, reliable and continuous operation of your installation.



Engine Filtration Products



Compressed Air Purification



Gas Turbine Filtration



PTFE Membrane Technologies



Hydraulic Filtration



Dust, Fume & Mist Collection

South East Asia Head Office  
Donaldson Filtration Asia  
Pacific Pte. Ltd  
Singapore  
Tel: +65 6311 7373  
Fax: +65 6311 7399  
www.donaldson.com

East Asia Head Office  
Nippon Donaldson Ltd  
Japan  
Tel: +81 42 540 4111  
Fax: +81 42 540 4468  
www.donaldson.co.jp

Greater China Head Office  
Donaldson Far East Limited  
Hong Kong  
Tel: +852 2 402 2830  
Fax: +852 2 483 2928  
www.donaldson.cn

South Asia Head Office  
D.I. Filter Systems Pvt. Ltd  
India  
Tel: +911 2686 5534  
Fax: +911 2656 9534  
www.donaldson.com

Australasia Head Office  
Donaldson Australasia Pty Ltd  
Australia  
Tel: +61 2 8713 1300  
Fax: +61 2 8713 1333  
www.donaldsonfilters.com.au

## DOWNFLO® OVAL 1 DUST COLLECTORS



# Downflo® Oval 1 Dust Collectors

## A FAMILY OF OVER-ACHIEVERS

The high performance Downflo® Oval 1 (DFO) family of over-achieving dust collectors is the best value available.

Providing up to 25 percent more filtration capacity than same-sized cartridge collectors, DFO delivers long-term savings and better performance.

The DFO advantage is found in the collector's patented design and components. Proprietary, ultra efficient filter media and cleaning technology allow more airflow through the collector without increasing the size of the footprint or damaging the filters.

A smaller collector helps lower the initial purchase price, reduce filter replacement costs and opens up valuable manufacturing floor space.

## DFO Offers:

- **Greater Capacity:** DFO collectors provide 25 percent more capacity than same-sized dust collectors
- **Longer Filter Life:** Unique oval-shaped Ultra-Web® cartridge filters provide longer filter life than conventional cartridges, which results in fewer change outs and reduced filter disposal costs
- **Easy System Set-Up:** The self-contained, plug-and-play design of the smaller DFO units makes set-up quick and easy
- **Compact Design:** Smaller footprints for applications that require maximum cleaning efficiency in even smaller spaces
- **Efficient Maintenance:** Quick-release handles provide easy cover removal and faster filter access
- **Superior Filter Cleaning:** The patented ExtraLife™ Filter Cleaning System averages up to 30 percent increase in pulse cleaning energy for unmatched cleaning ability
- **Extensive Range:** 26 standard models with customised sizes available



## HIGH PERFORMANCE OVAL FILTER TECHNOLOGY

### DFO Filter Media Pleats

Shorter and stiffer pleats help minimise dust entrapment and simplify filter cleaning. By reducing the height of the filter pleats from the standard 51mm to 38mm, the pleat wall is less likely to collapse or bend, which can encapsulate dust and prevent its expulsion.

#### Downflo Oval Filter



#### Standard Filter



## Ultra-Web® Media

A dramatic departure from traditional circular-shaped cartridge filters, DFO's oval shaped filters, in conjunction with our patented Ultra-Web filter media, trap more dust on the surface of the filter than conventional commodity type filters.

#### Ultra-Web Filter Media



Nanofibre technology is available in all Ultra-Web and Fibra-Web filter cartridges

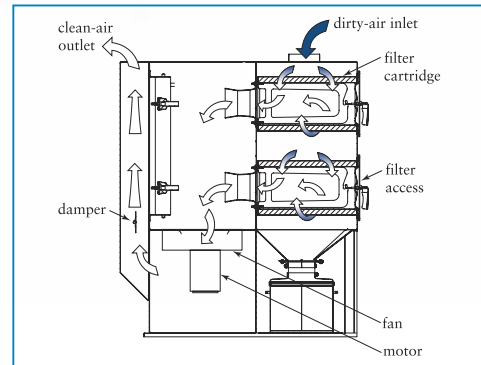
#### Commodity Filter Media



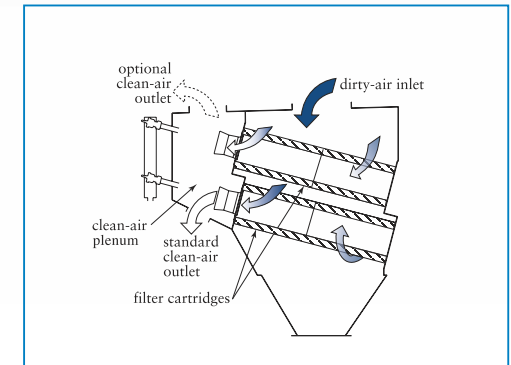
Conventional media has spaces of up to 60 microns between the fibres, allowing dust to become deeply embedded.

## DOWNFLO OVAL OPERATION

### Normal Operations for Models 1-1, 2-2 and 3-3



### Normal Operations for Models 2-4 Through 4-128

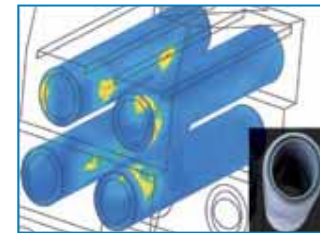


## BETTER FILTRATION, PROLONGED FILTER LIFE

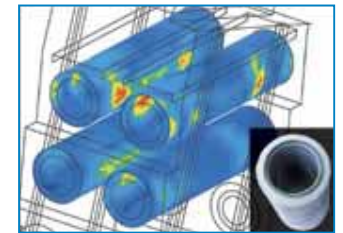
### Higher Airflow Capacity

Oval-shaped filters handle up to 25 percent more airflow without increasing velocities, which can cause filter abrasion. Sophisticated FLUENT® airflow modelling software revealed that oval-shaped cartridge filters have fewer areas of high velocity, resulting in a lower potential for media abrasion and increased filter life.

#### Downflo Oval 1 Collector: 9145 cfm



#### Standard Collector: 7315 cfm



### Convex Side Walls

A new cabinet design with convex sidewalls streamlines the airflow path and increases the cabinet's cross-sectional area. The convex sidewalls provide more space between filters, lower cabinet velocities, and reduce potential for media abrasion.

### Pulse Cleaning Technology

The Extralife™ Filter Cleaning System uses proprietary, computer-modeled pulse cleaning technology to easily "pulse off" dust from the surface of the filter, improving filtration efficiency and prolonging filter life.

### DFO Cartridge Filters

To complete the most powerful dust collection solution available, choose from a wide range of cartridge filters designed to meet the performance requirements of the most demanding applications. Ultra-Web cartridges, which provide unequalled efficiency of 99.999 percent at 0.5 micron dust particles, are suitable for the majority of applications providing longest filter life, and greatest energy savings.



\* FLUENT is a registered trademark of Fluent, Inc.