



VORTEX® 3-WAY WYE LINE DIVERTER™

The Vortex® 3-Way Wye Line Diverter™ is specifically engineered to handle dry bulk solids in vacuum or dilute phase pneumatic conveying systems with pressures up to 15 psig (1 barg). A full flow orifice provides unrestricted conveying of material with no disk or ledges to impede flow. The diverter seat and live-loaded seals are shielded from abrasion by a metal insert, which provides superior shearing action. The Wye Line Diverter™ is designed to eliminate problems, enabling you to meet your objectives by increasing production, while decreasing labour and equipment costs.

Vortex® Wye Line Diverter™ Features

- Ability to Shift without Shutting Down Blower
- Improves Conveying Efficiency
- Smooth, Unobstructed Bore for Unrestricted Flow of Material
- Seal Protected from Abrasion
- Easy Installation and Maintenance



Valve Specifications

Size/Bore Options	50mm to 200mm Diameters, Pipe or Tube
Media	Powder, Pellets, Granulars
Connection Options	Compression Coupling
Media Temperature	Up to 82°C continuous to 121°C intermittent service, Modifications allow up to 204°C continuous to 232°C intermittent service.
Media Pressure	-0.1 MPa +0.1 MPa, 1 barg, 15 psig, depending on size
Metal Construction Options	304 or 316L Stainless Steel, Aluminium, and/or Carbon Steel
Seal/Seat Material Options	Nylon, PET, UHMW, Glass Filled Teflon, Natural Rubber, and/or Silicon Rubber
Drive/Actuation Options	Double Acting Air Cylinder and Solenoid Operated Air Control Valve
Position Confirmation	Magnetic Reed Switch or Proximity Switch
Compliance/Approvals	CE, ATEX, FDA
Industry Use	Plastics, Petrochemicals, Chemicals, Foods, Minerals, Textiles, Agriculture



Application Specific Modifications

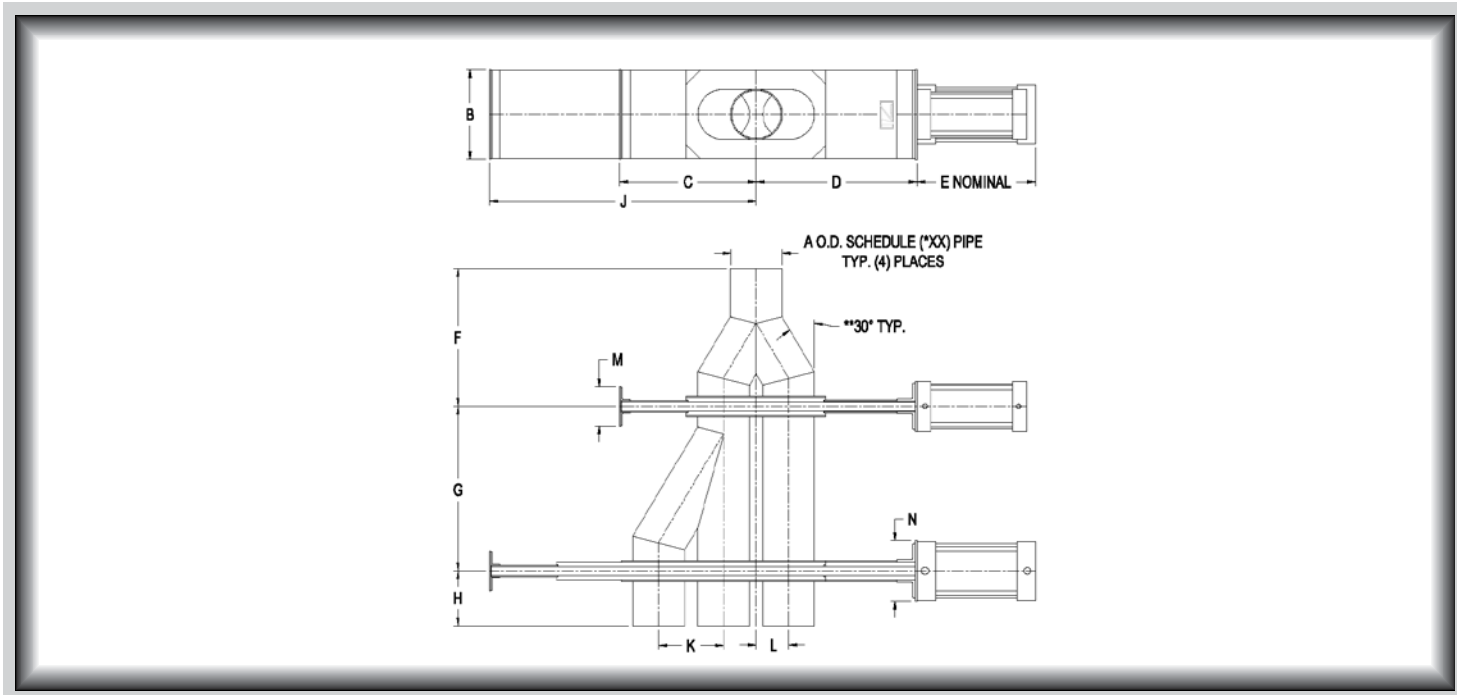
S	Material contact is 316L stainless steel.
MG	Air cylinder has a magnetic ring which activates a magnetic reed position indicating switch.
HT3	Modifications are made allowing 121°C continuous to 149°C intermittent service.
HT4	Modifications are made allowing 204°C continuous to 232°C intermittent service.
P10	Diverter are made with Schedule 10 Pipe.
P40	Diverter are made with Schedule 40 Pipe.
WS1	Slide Blade is electro-polished. Polyethylene Terephthalate (PET) pressure plate seals replace Nylon.



Valves

Handling the world's dry bulk solids®

VORTEX® 3-WAY WYE LINE DIVERTER™ DIMENSIONAL INFORMATION



Tube Model	A	B	C	D	E	F	G	H	J	K	L	M	N
D2-3(XX)Y	51	133	146	200	159	184	203	105	273	64	32	105	114
D3-3(XX)Y	76	152	197	251	203	219	254	105	375	89	44	117	111
D4-3(XX)Y	102	184	264	324	260	264	337	105	518	127	64	114	140
D5-3(XX)Y	127	225	324	391	267	321	394	130	619	152	76	111	171
D6-3(XX)Y	152	251	375	467	324	352	464	130	730	178	89	111	171

Pipe Model	A	B	C	D	E	F	G	H	J	K	L	M	N
D2-3(XX)Y-P*	60	152	197	251	203	257	254	130	375	89	44	117	140
D3-3(XX)Y-P*	89	184	264	324	264	324	337	156	518	127	64	114	165
D4-3(XX)Y-P*	114	225	321	391	298	346	384	156	629	152	76	111	171
D5-3(XX)Y-P*	141	251	375	441	302	387	464	156	730	178	89	111	171
D6-3(XX)Y-P*	168	292	549	597	400	394	441	178	1026	254	127	76	229

All dimensions are in mm, Information subject to change without notice.

(XX) Material of construction, aluminum (AL), carbon steel (CS), or stainless steel (SS).

*Select pipe schedule 10, 20, or 40.

** D6 model has 45° angle.